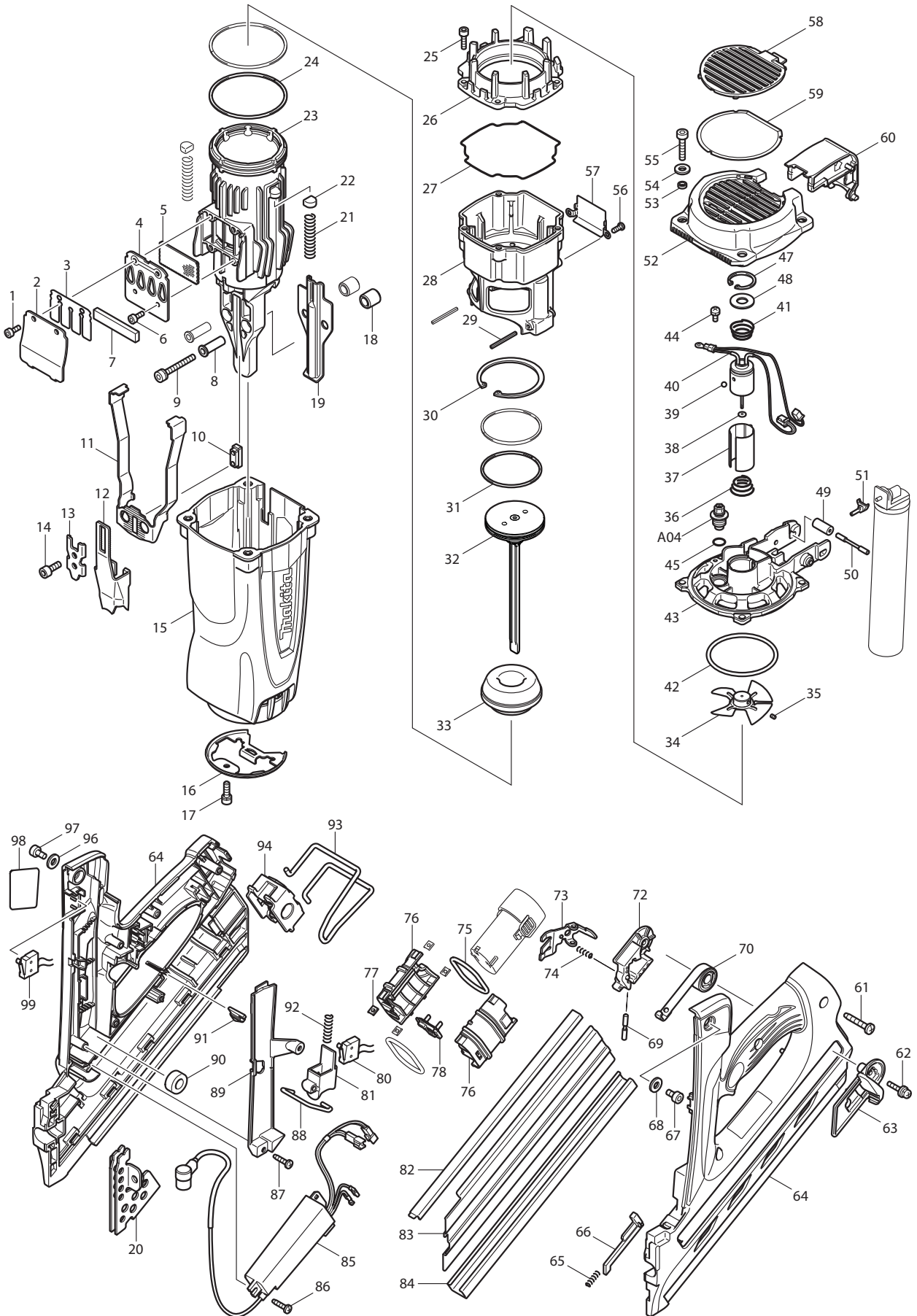




08 - 2010
GN900S / GN900SE
GAS FRAMING NAILER



Item No	Type	Ref	Part No	Description	Qty	Unit
001			922112-8	HEX. SOCKET HEAD BOLT M4X10	2	PC.
002			345984-8	EXHAUST COVER	1	PC.
003			345982-2	EXHAUST VALVE	1	PC.
004			345983-0	EXHAUST PLATE	1	PC.
005			352008-3	PUNCHING METAL	1	PC.
006			922112-8	HEX. SOCKET HEAD BOLT M4X10	2	PC.
007			352009-1	SILENCER	1	PC.
008			325711-9	SLEEVE 5	2	PC.
009	1		265562-7	* HEX SOCKET HEAD BOLT M5X35	2	PC.
	2		266620-2	* HEX SOCKET HEAD BOLT M5X35	2	PC.
010			313157-1	ARM CONNECTOR	1	PC.
011			345987-2	ARM	1	PC.
012			345990-3	CONTACT TOP	1	PC.
013			345991-1	ARM PLATE	1	PC.
014			922207-7	HEX. SOCKET HEAD BOLT M5X10	2	PC.
015			450729-2	HOUSING	1	PC.
016			346008-3	FRONT PLATE	1	PC.
017			266086-6	HEX. SOCKET HEAD BOLT M5X16	3	PC.
018			257784-3	SLEEVE 8	2	PC.
019			346124-1	DRIVER GUIDE PLATE	1	PC.
020	1		346006-7	* UNDER DRIVER GUIDE - N/L/A	1	PC.
	2		346357-8	* UNDER DRIVER GUIDE	1	PC.
021			234127-6	COMPRESSION SPRING 8	2	PC.
022			424138-1	STOP RUBBER	2	PC.
023			318496-4	CYLINDER	1	PC.
024			324973-6	CYLINDER RING	2	PC.
025			922127-5	HEX. SOCKET HEAD BOLT M4X16	4	PC.
026			318322-7	CHAMBER TOP	1	PC.
027			424139-9	CHAMBER SEAL RING	1	PC.
028			318320-1	CHAMBER	1	PC.
029			951078-5	SPRING PIN	2	PC.
030			962254-6	RETAINING RING (INT) R-58	1	PC.
031			324972-8	PISTON RING	2	PC.
032			158840-1	DRIVER COMPLETE	1	PC.
033			424137-3	FRONT CUSHION	1	PC.
034			241674-0	FAN 60	1	PC.
035			913904-6	SET SCREW (CUP POINT) M3X4	1	PC.
036			233969-5	C COMPRESSION SPRING 12-18	1	PC.
037	1		450737-3	MOTOR SLEEVE	1	PC.
	2		454002-2	MOTOR SLEEVE	1	PC.
038			261141-9	EPOXY WASHER 2	1	PC.
039			216019-1	STEEL BALL 3	1	PC.
040			629860-7	DC MOTOR	1	PC.
041			233969-5	C COMPRESSION SPRING 12-18	1	PC.
042	2		213679-0	O-RING 60 (W/ COLD REGISTANT)	1	PC.
043			318321-9	CYLINDER HEAD	1	PC.
044			652014-1	PAN HEAD SCREW M4X8	1	PC.
045			213070-2	O RING 10	1	PC.
047			962103-7	RETAINING RING R-24	1	PC.
048			253024-7	FLAT WASHER 10	1	PC.
049			422044-4	RUBBER SLEEVE 9	1	PC.
050			324976-0	SHOULDER PIN 4	1	PC.
051	1		450731-5	STEM ADAPTER	1	PC.
	2		454003-0	STEM ADAPTER	1	PC.
052			450730-7	TOP CAP	1	PC.
053			257672-4	SLEEVE 5	4	PC.
054			941101-4	FLAT WASHER 5 (Outer diameter 12mm)	4	PC.

Item No	Type	Ref	Part No	Description	Qty	Unit
055			922242-5	HEX. SOCKET HEAD BOLT M5X25	4	PC.
056			265069-3	+PAN HEAD SCREW M4X10	2	PC.
057			345985-6	TRIGGER LOCK PLATE	1	PC.
058			450733-1	FILTER COVER	1	PC.
059			162270-0	FILTER	1	PC.
060	1		450732-3	ACTUATER	1	PC.
	2		454202-4	ACTUATER	1	PC.
061			266041-8	TAPPING SCREW 5X25	3	PC.
062			911138-5	PAN HEAD SCREW M4X20	1	PC.
063			450735-7	PUSHER LEVER	1	PC.
064			188626-9	HANDLE SET	1	SET
		INC.	808225-8	LED INDICATION LABEL	1	PC.
		INC.	810460-6	CAUTION LABEL	1	PC.
065			233054-4	COMPRESSION SPRING 4	1	PC.
066			310289-5	LOCK BAR	1	PC.
067			265907-9	HEX. SOCKET HEAD BOLT M5X10	1	PC.
068	1		941101-4	* FLAT WASHER 5 (Outer diameter 12mm)	1	PC.
	2		941102-2	* FLAT WASHER 5 (Outer diameter 10mm)	1	PC.
069			324977-8	SHOULDER PIN 4	1	PC.
070			158791-8	SPIRAL SPRING COMPLETE	1	PC.
072			450734-9	PUSHER HOLDER	1	PC.
073			345992-9	PUSHER	1	PC.
074			234084-8	COMPRESSION SPRING 3	1	PC.
075			424152-7	RUBBER RING 40	2	PC.
076			188598-8	BATTERY CASE SET	1	PC.
077			345749-8	SET PLATE	4	PC.
078			643817-4	TERMINAL	1	PC.
080			638642-6	SWITCH UNIT	1	PC.
081			450736-5	TRIGGER	1	PC.
082			345988-0	NAIL RAIL	1	PC.
083			345989-8	NAIL PLATE	1	PC.
084			345981-4	MAGAZINE SUPPORTER	1	PC.
085	1		631820-7	SPARK UNIT	1	PC.
	2		620158-5	SPARK UNIT	1	PC.
086			265995-6	TAPPING SCREW 4X18	2	PC.
087			265995-6	TAPPING SCREW 4X18	2	PC.
088			324974-4	CHAMBER LOCK BAR	1	PC.
089			450740-4	LEAD WIRE COVER	1	PC.
090			688131-1	LINE FILTER	1	PC.
091			450741-2	LENZ	1	PC.
092			234113-7	COMPRESSION SPRING 5	1	PC.
093			324953-2	HOOK	1	PC.
094			318338-2	HOOK HOLDER	1	PC.
096	1		941101-4	FLAT WASHER 5 (Outer diameter 12mm)	1	PC.
	2		941102-2	FLAT WASHER 5 (Outer diameter 10mm)	1	PC.
097			265907-9	HEX. SOCKET HEAD BOLT M5X10	1	PC.
098			866161-4	GN900 NAME PLATE	1	PC.
099			638642-6	SWITCH UNIT	1	PC.
100			346358-6	* FRONT SPACER (Added)	1	PC.
ACCESSORIES				- See catalogue or visit www.makita.ca for more optional accessories -		
A01	1		192517-8	SAFETY GOGGLE	1	PC.
	2		195246-2	SAFETY GOGGLE	1	PC.
A02	2		783230-5	* HEX. WRENCH 4 (110mm) (SE from Serial No.14910)	1	PC.
A03			824875-1	PLASTIC CARRYING CASE	1	PC.
		INC.	163455-1	LATCH	2	PC.
A04			162269-5	SPARK PLUG	1	PC.
A05	2		DC10WB	DC10WB BATTERY CHARGER	1	PC.
A06	1		194356-2	* 7.2V LI-ION BATTERY BL7010	1	PC.
	2		198001-1	* 7.2V LI-ION BATTERY BL0715	1	PC.
A07			194852-0	CLEANING SET	1	PC.
		INC	242075-5	CLEANER	1	PC.
		INC	242077-1	LUBRICANT OIL 100ML	1	PC.
A08			242080-2	FUEL CELL - BULK	1	PC.

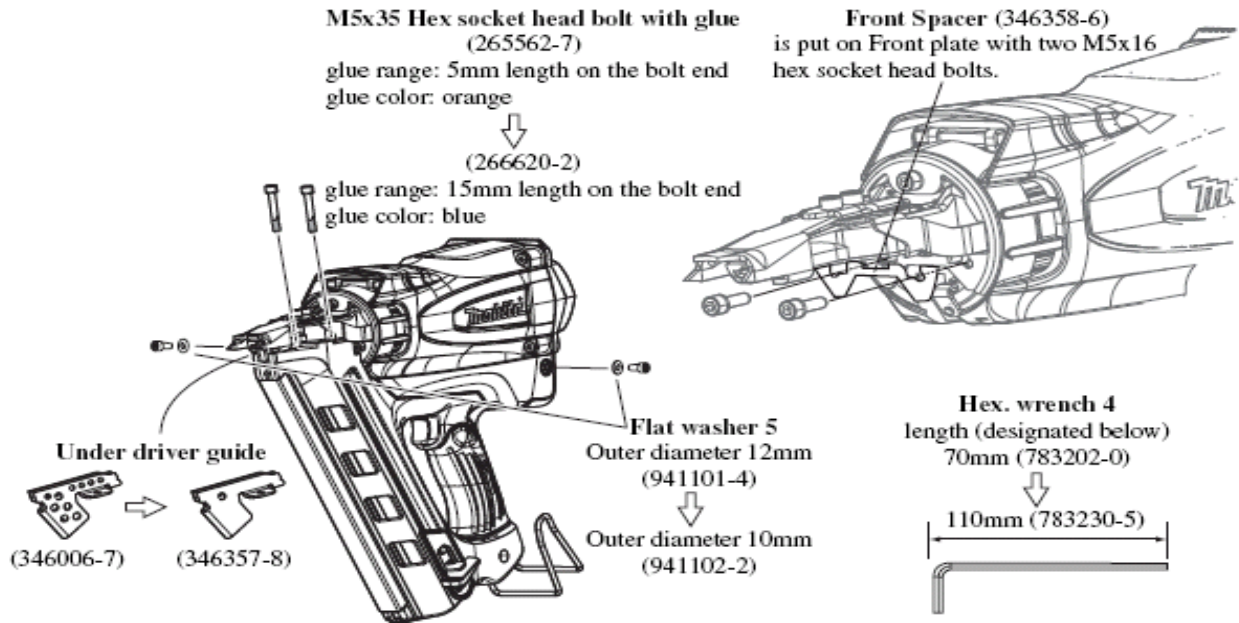
SERVICE CHANGES

1. Addition of Front spacer and Changes on Under driver, H.S.H. Bolt, Flat washer, Hex.Wrench.

Item No.	Description	Type 1	Type 2
100	Front Spacer	-----	346358-6
20	Under Driver Guide	346006-7	346357-8
9	H.S.H.Bolt	265562-7	266620-2
68,96	Flat Washer	941101-4	941102-2
A02	Hex. Wrench 4	783202-0	783230-5

Note: In case of Cylinder head failure, all the following parts have to be replaced.

In case of Under driver guide failure, Under driver guide and two M5x35 Hex socket head bolts have to be replaced.



SERVICE CHANGES

When replacing Trigger (Part No. 450736-5) in repair, be sure to add Lubricant such as a commercial silicon oil/ spray to the specific portions of Trigger before assembly as illustrated below. (Part No. 450736-5 does not have lubricant on the surface. Therefore, the above work is required.) It has been already implemented in assembly lines for the subject model since the serial No. 4026E July 2009.

Trigger (Part No. 450736-5)

